

# Compac **Three way valve**

**The newly improved  
Compac Three way  
valve will ensure top  
performance and  
reliable refuelling,  
every time.**



The new Compac Three way refuelling valve has been developed exclusively by Compac's experienced engineers, to perform to the highest standards in gas flow control. Simply attach the valve to any type of CNG hose to give you and your customers an easy and reliable fill every time. This newly improved model has added features such as; stainless steel body, a larger handle, smoother turning action and more rigorous quality control, ensuring a longer lasting and improved overall performance of the Three way valve.

**Compac Industries Ltd.**

52 Walls Road, Penrose, Auckland 1061, New Zealand.  
PO Box 12 417, Penrose, Auckland 1642, New Zealand.

Tel: +64 9 579 2094 Fax: +64 9 579 0635 info@compacngv.com [www.compacngv.com](http://www.compacngv.com)



# Compac Three way valve

For easy and reliable refuelling.

## Improvements to new model Three way valve

The Compac Three way valve is now even more reliable and user-friendly, due to the following added features, ensuring top overall product performance.

### HANDLE

- New material used for increased strength and impact resistance
- Increased size for better ergonomics and ease of use
- Added lubrication ensures smoother turning action

### BODY

- New stainless steel body for increased corrosion resistance

### INTERNAL CHANGES

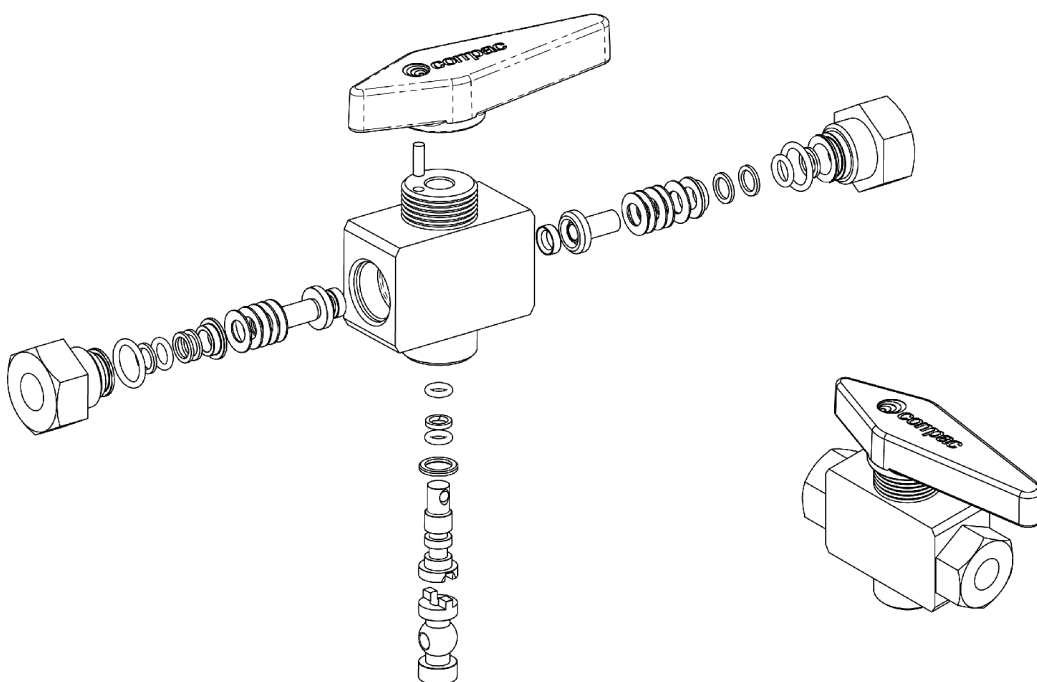
- Including dual encapsulated seals for a longer lifespan

### QUALITY IMPROVEMENTS

- Increased quality checks, including gas testing and higher precision checking of every part, for every valve, to increase overall reliability

## Standard Specifications

Manufacturer	Compac Industries
Model	RVCI-04-SS
Weight	~ 0.4 kg
Connection Ports	1/4" NPT Female
Maximum Inlet Pressure	350 Bar
Nominal Flow Rate	1-20 kg/min
Material Specification	Body - Stainless steel Handle - Plastic GV-5H Ports - Stainless steel Seals - PEEK



## → Advantages of the Compac Three Way Valve

- High flow
- Robust construction
- Reliable and user-friendly
- Corrosion resistant
- Smooth, easy operation
- Fast and easy servicing

### Spare Parts

Seal Kit (with Ball): FC-SK-0048  
Seal Kit (without Ball): FC-SK-0049